

Product Data Sheet

Application: Signage

Product Code: LM-MP-WW through to LM-MP-B

Product Name: Mini Plus



- Features:**
- Backlighting of channel letters of 25mm-80mm depth
 - Uniform and efficient illumination, with oval optics design
 - Small module size for easy and flexible installation
 - High efficiency (115lm/w), high brightness (41lm/mod)
 - Wide operating temperature range
 - Constant voltage
 - Very wide beam angle 170°x130°
 - Suitable for indoor and outdoor applications (IP67 rating)
 - Easy installation with pre-applied 3M adhesive tape
 - 5 year warranty

Technical Data:

Code	Voltage	Colour	Energy Consumption	Modules per String
LM-MP-WW	12VDC	Warm White (3000K)	0.36W/mod	150
LM-MP-CW	12VDC	Cool White (7000K)	0.36W/mod	150
LM-MP-R	12VDC	Red (620-625nm)	0.36W/mod	150
LM-MP-G	12VDC	Green (520-525nm)	0.36W/mod	150
LM-MP-B	12VDC	Blue (465-470nm)	0.36W/mod	150



Product Data Sheet

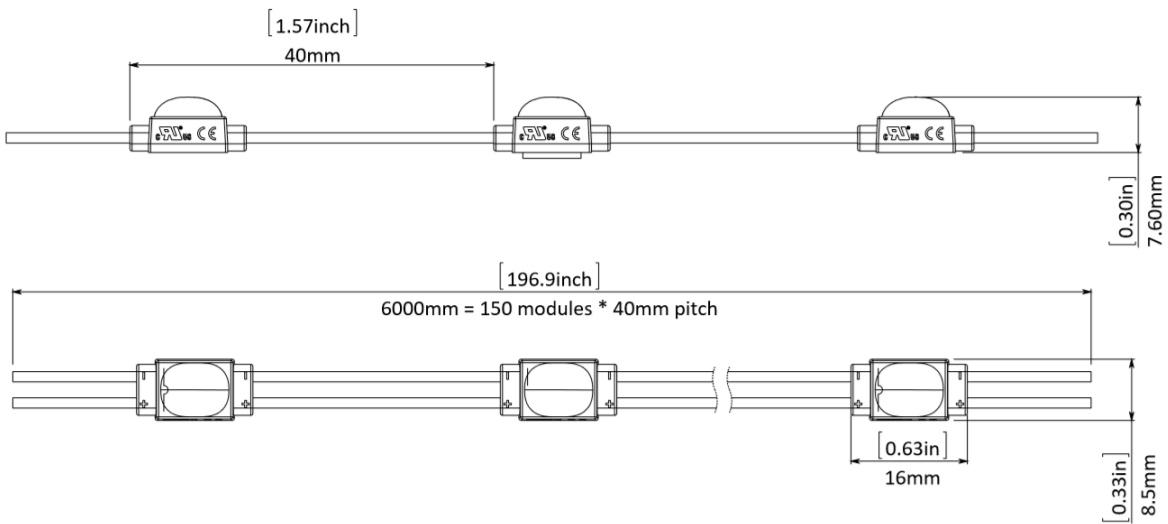
Application: Signage

Product Code: LM-MP-WW through to LM-MP-B

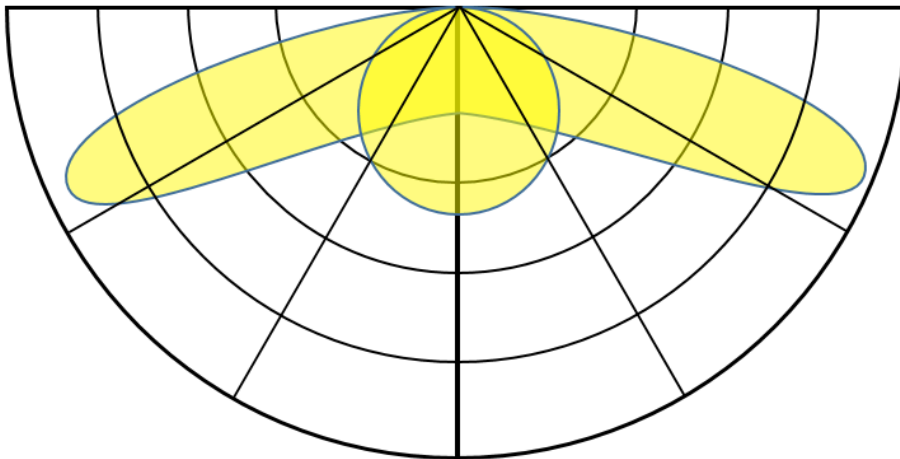
Product Name: Mini Plus



Dimensional Drawings:



Light Distribution:





Product Data Sheet

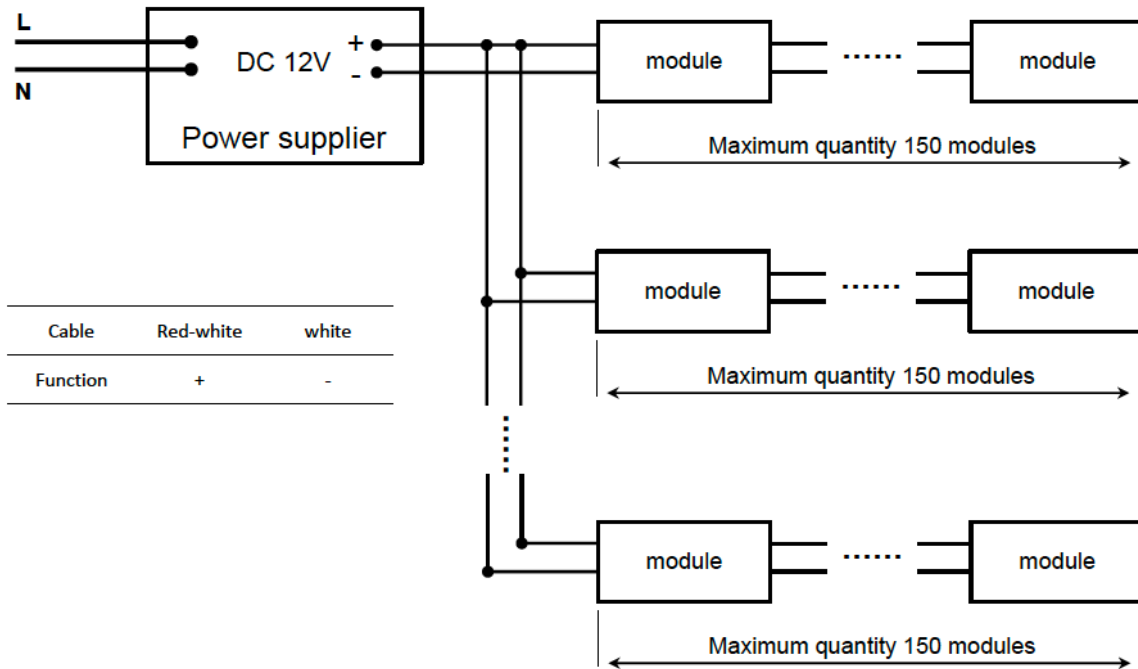
Application: Signage

Product Code: LM-MP-WW through to LM-MP-B

Product Name: Mini Plus



Wiring:



* The secondary cable recommend AGW18, < 1 meter (3.28 ft.)

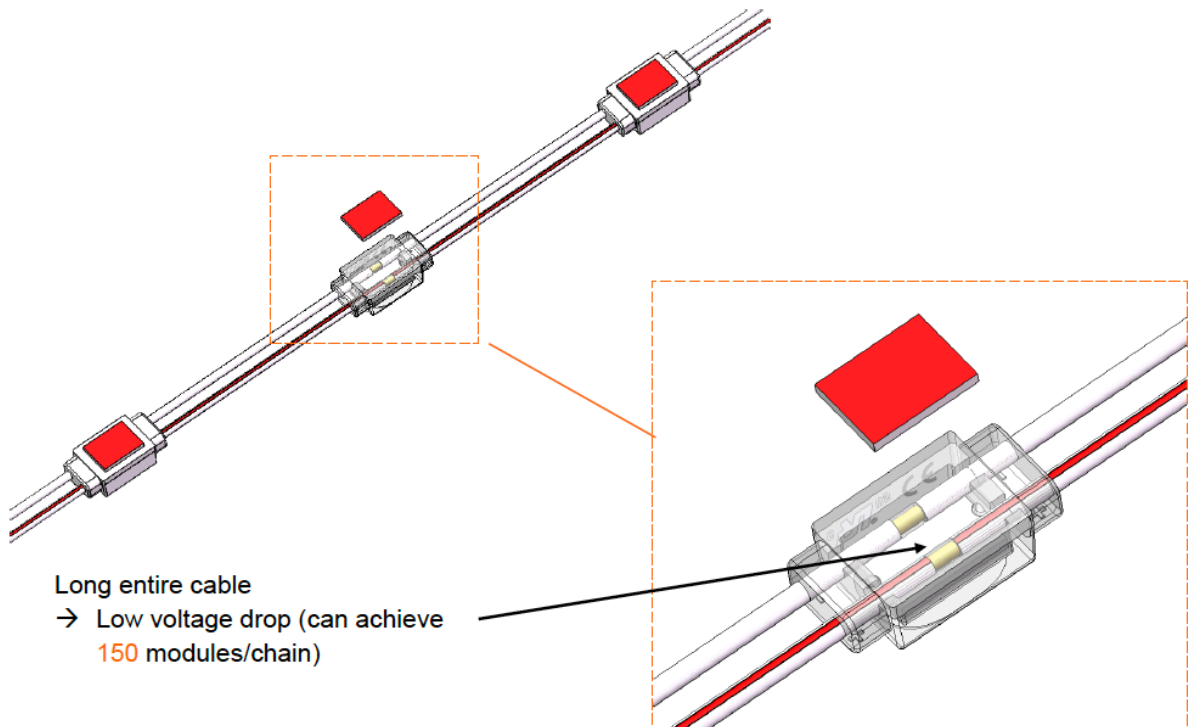


Product Data Sheet

Application: Signage

Product Code: LM-MP-WW through to LM-MP-B

Product Name: Mini Plus



Long entire cable
→ Low voltage drop (can achieve
150 modules/chain)