



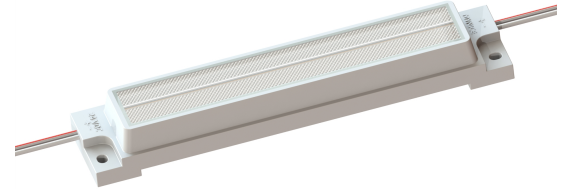
Product Data Sheet

Category: Signage

Application: Side Lighting

Product Code: LM-SLO-24V-CW

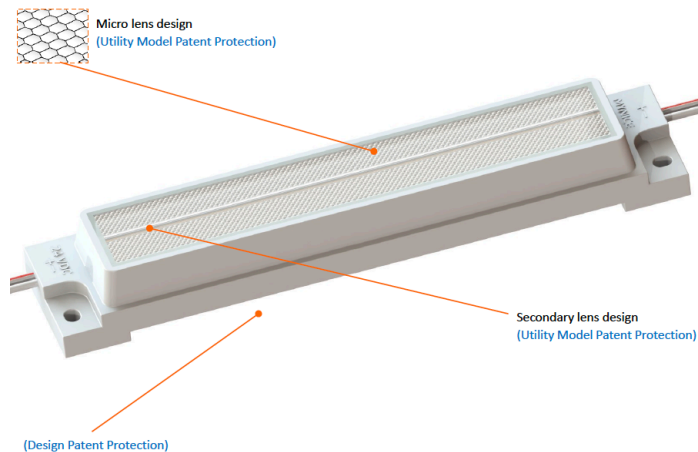
Product Name: Side Light Optic



- Features:**
- High power, high brightness for efficient illumination of large light boxes
 - Easy and flexible application and installation, with double sided backing tape and screw mount holes
 - Ability to illuminate large light boxes of 1.5-4m length with a depth of >120mm
 - Efficient, effective edge lighting module produces uniform illumination
 - Patented micro lens design to allow for better illumination from the side and no hot-spotting
 - Utilising OSRAM LED technology
 - Pre assembled strings of 16 modules
 - IP67 rating
 - 7 year warranty (70 000hr)
 - Available in other colour temperatures on request
 - Dimmable

Technical Data:

Product Code	Voltage	CRI	Wattage	Colour Temperature	Luman	Luman	Beam Angle	Cuttable Increments
LM-SLO-24V-CW	24VDC	Ra>80	7.2W/mod	Cool White (6500-7100K)	800lm/mod	111lm/W	11°x77°	Every mod



S SIGNAGE **P** PROJECT **A** ARCHITECTURAL **R** RETAIL **C** COMMERCIAL



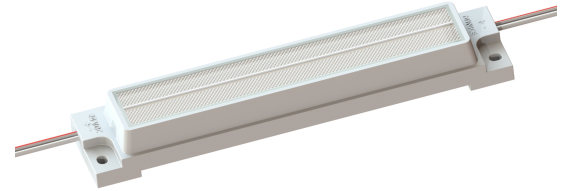
Product Data Sheet

Category: Signage

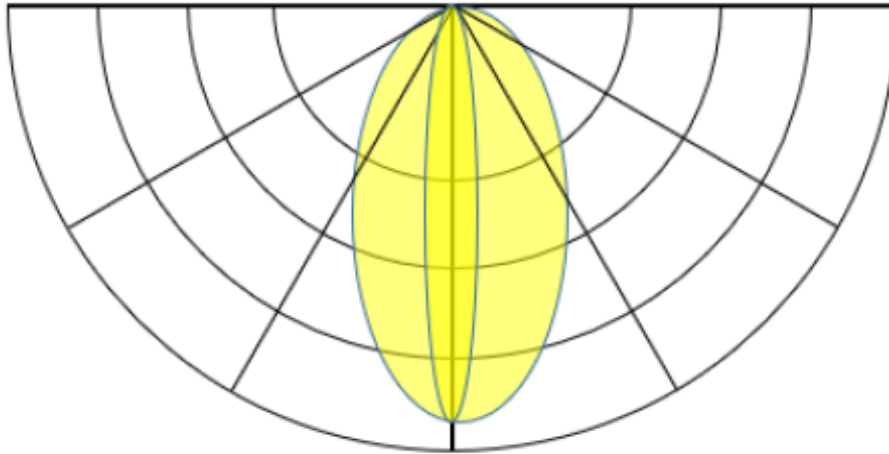
Application: Side Lighting

Product Code: LM-SLO-24V-CW

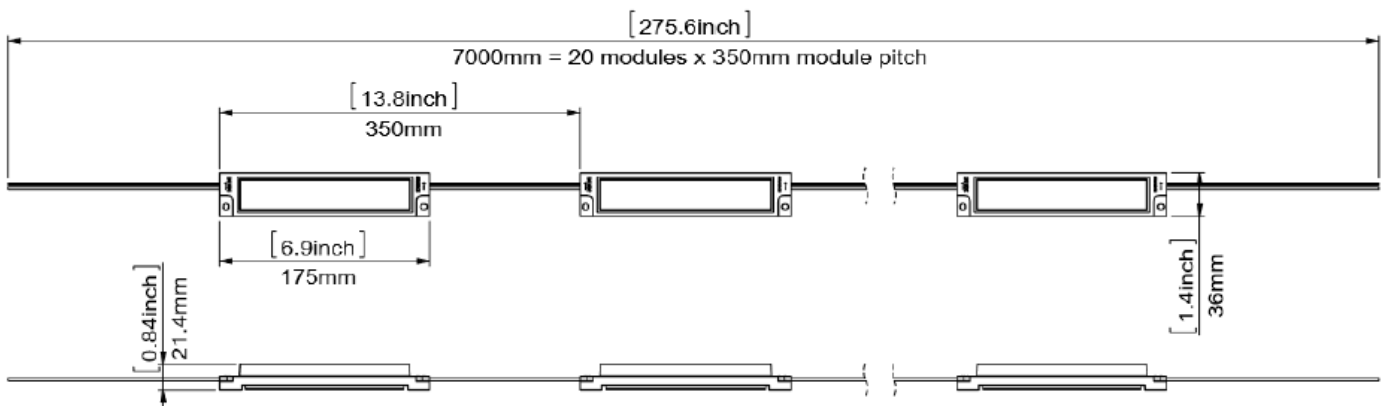
Product Name: Side Light Optic



Light Distribution:



Dimensional Drawings:

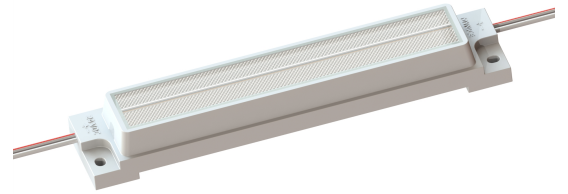


S SIGNAGE **P** PROJECT **A** ARCHITECTURAL **R** RETAIL **C** COMMERCIAL

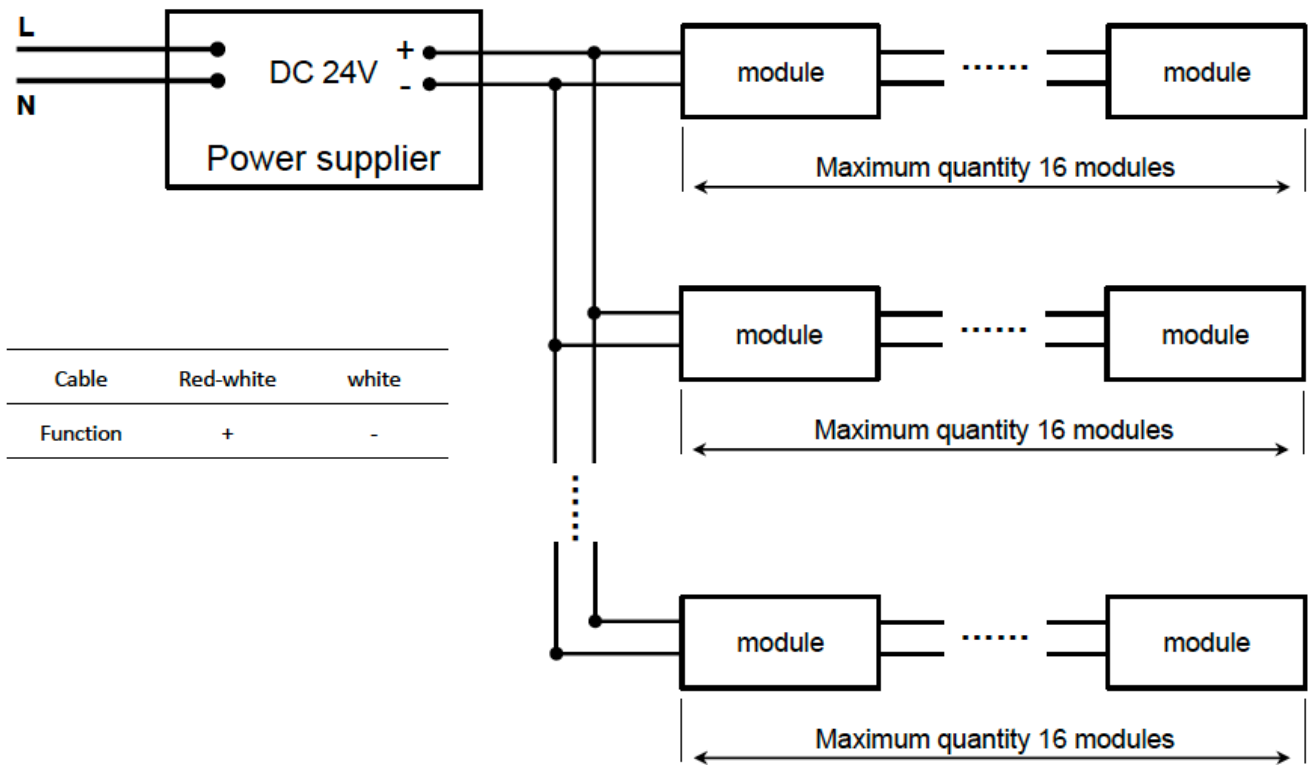


Product Data Sheet

Category: Signage
Application: Side Lighting
Product Code: LM-SLO-24V-CW
Product Name: Side Light Optic



Wiring Diagram:

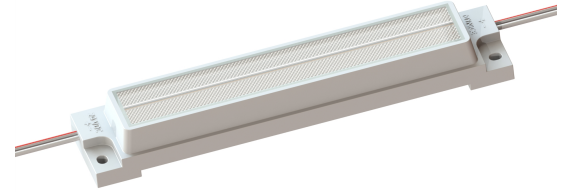


* The secondary cable recommend AGW18, < 5 meter (16.4 ft.)



Product Data Sheet

Category: Signage
Application: Side Lighting
Product Code: LM-SLO-24V-CW
Product Name: Side Light Optic



- Installation Notes:**
- Always use a suitable, quality power supply that is 20% higher than the maximum power being drawn by the Side Light Optic modules.
 - Do not install when power is on. Ensure all wiring is correct before turning on power.
 - Parallel connection is mandatory for safe electrical operation. Serial connection of LED chains is not recommended. Unbalanced voltage drop that occurs with serial connection can cause a hazardous overload.
 - To avoid mechanical damage, the LED modules must be securely attached to the intended mounting surface. Heavy vibration of the modules must be avoided.
 - The Side Light Optic modules are dimmable by PWM.
 - All installations must be undertaken by a suitably qualified person.

Maximum Supply Wire Limits

60W	8 modules	2.9 m (9.6 ft.)
80W	11 modules	3.9 m (12.8 ft.)
100W	13 modules	4.9 m (15.9 ft.)
120W	16 modules	5.8 m (19.1 ft.)
180W	25 modules	8.8 m (28.7 ft.)

